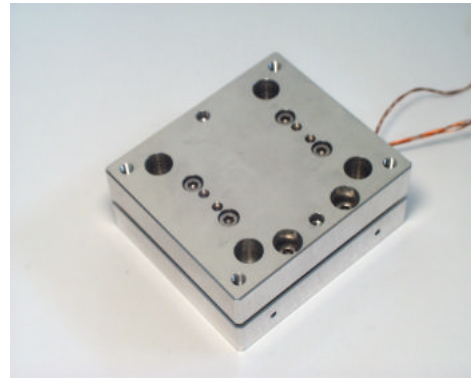


tilting systems series PSH 0.3/1

- higher resolution
- integrated measurement system
- appropriate for vacuum applications



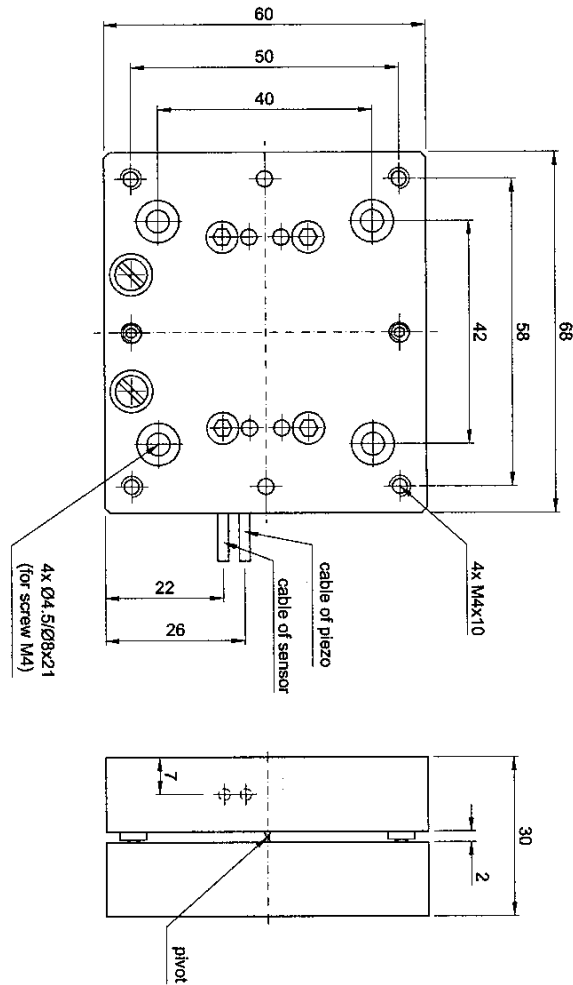
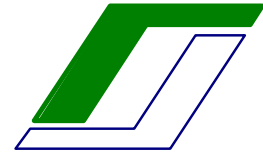
The one-dimensional tilting system PSH 0.3/1 SG was developed for applications which require an extremely high angular resolution.

Two separate piezoelectrical actuators achieve tilting angles of 0.3 mrad and 0.08 mrad.

When operating these systems with a low noise level power supply from piezosystemjena, the partition of the tilting angles results in an extremely high resolution. The complete motion is measured by strain gauges.

series PSH part no.	unit	PSH 0.3/1 SG K-200-03
tilting angles **	mrad	0.3, 0.08
operating voltage	V	-10 to +150
capacitance ***	μF	0.1/0.7
integrated measurement system	-	strain gauges
resolution	μrad	0.006 / 0.001
non-linearity	%	0.5 / 0.4
repeatability	μrad	1 / -
dimensions		
length L	mm	60
width B	mm	68
height H	mm	30

** typical values measured with -10 to $+150$ V
*** typical values for small electrical field strength



part-no.	K-200-03	part-name	PSH0,3/1 SG
date	18. JAN. 2001	OK/Sign.	<i>Ma</i>
file name	PK20003	AZ 0	customers drawing piezosystem jena

ORIGINAL